

CWI LIGHTING

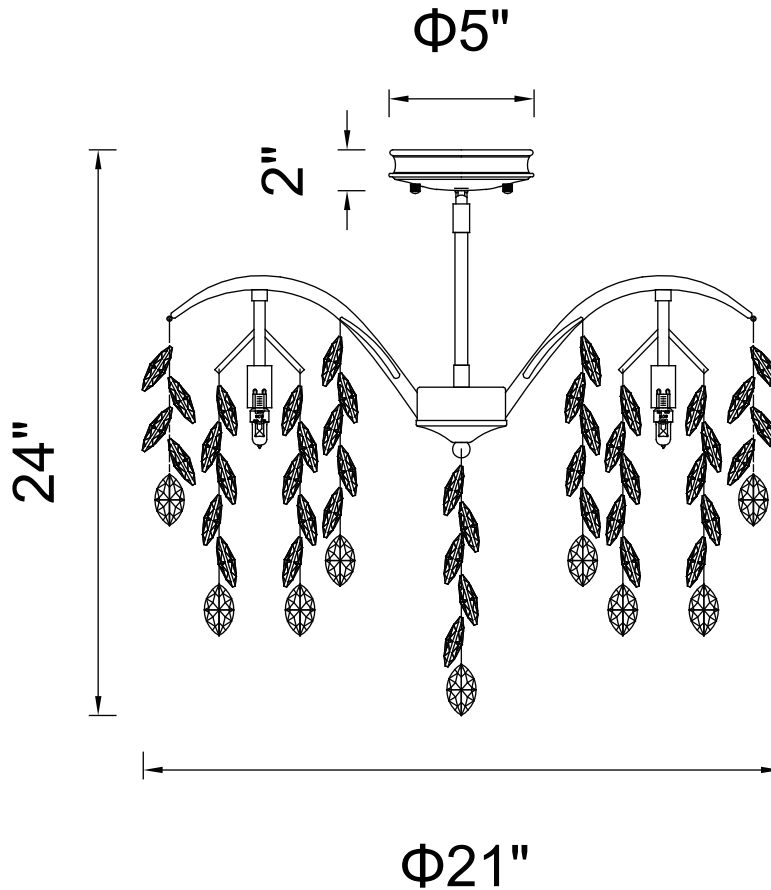
BRIGHTER LIVING. SIMPLIFIED.

PROJECT: _____

FIXTURE TYPE: _____

LOCATION: _____

CONTACT/PHONE: _____



| | |
|------------|-----------------|
| Item | 9885C21-5-183 |
| Collection | NAPAN |
| Finish | Silver Mist |
| Glass | ----- |
| Crystal | Clear |
| Input | 120V AC,60HZ,AC |

| | |
|-------------|-------|
| Shade | ----- |
| Length/Dia. | 21" |
| Width/Ext. | ----- |
| Height | 24" |
| Maximum | 24" |
| Lumens | ----- |

| | |
|--------------|-------|
| Light Source | G9 |
| Bulb Info. | 5×40W |
| Included | ----- |
| Dimmable | No |
| Color | ----- |
| Weight | |