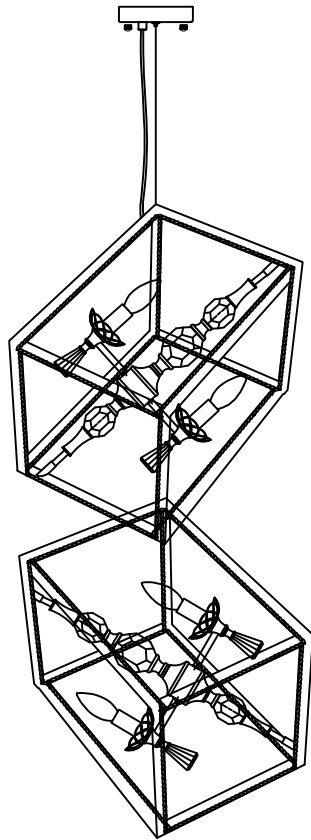



Trade Mark:
CRYSTAL WORLD INC

Product Name: Pendant lamp
Model :9891P11-8-183
120Vac, 60Hz,AC ONLY
Lamp Size:W11"*W11"*H30"



PENDANT LAMP ASSEMBLY INSTRUCTIONS

1. Install bulbs(NOT INCLUDED),USE 120V E12  8*40W Max.

