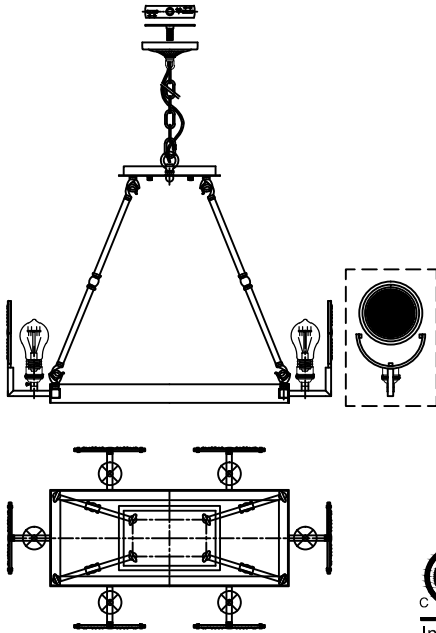


Product Name: Pendant lamp
Model :9909P28-6-192
120Vac, 60Hz, AC ONLY
Lamp Size: L28"W15"H20"

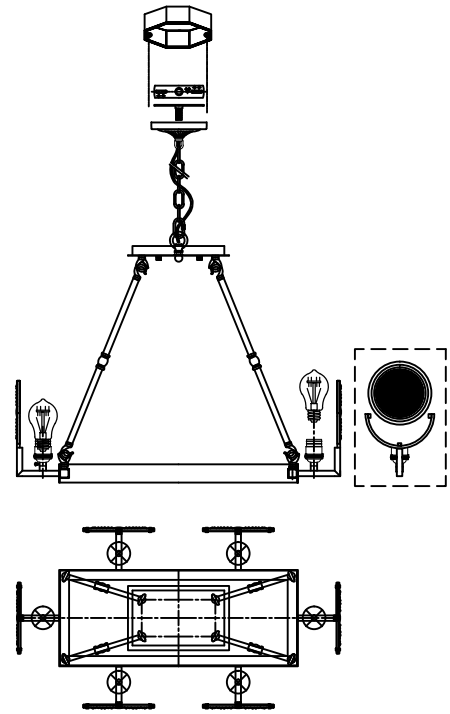
Trade Mark:
CRYSTAL WORLD INC



Page 1/4

PENDANT LAMP ASSEMBLY INSTRUCTIONS

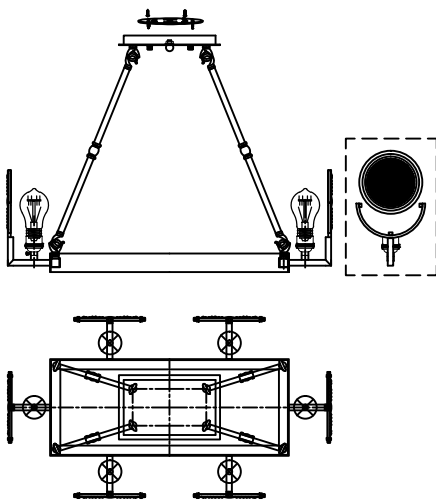
Install bulbs(NOT INCLUDED).USE 120V E26 6*Max.60W



Page 2/4

Product Name: Ceiling lamp
Model :9909P28-6-192
120Vac, 60Hz, AC ONLY
Lamp Size: L28"W15"H20"

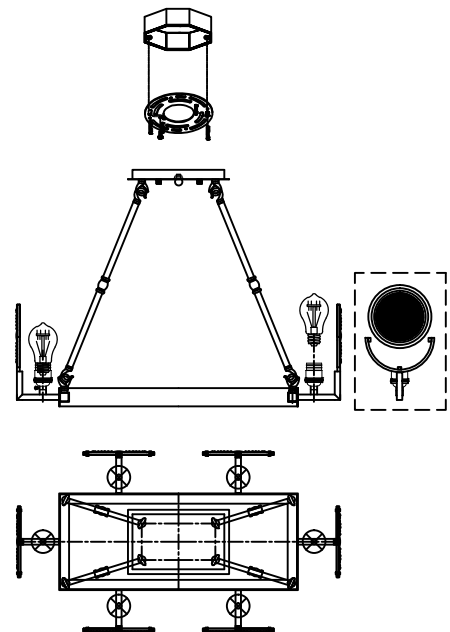
Trade Mark:
CRYSTAL WORLD INC



Page 1/4

PENDANT LAMP ASSEMBLY INSTRUCTIONS

Install bulbs(NOT INCLUDED).USE 120V E26 6*Max.60W



Page 2/4