

# CWI LIGHTING

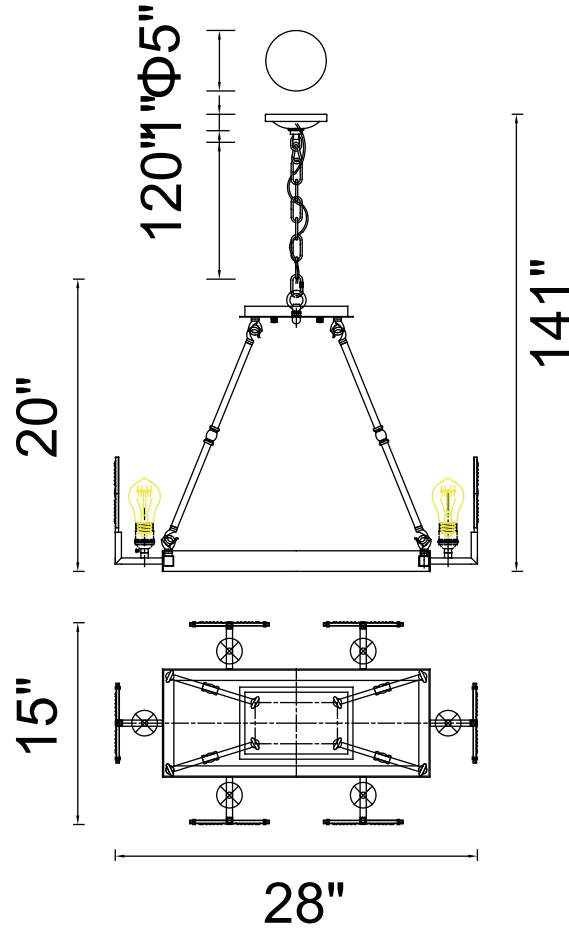
BRIGHTER LIVING. SIMPLIFIED.

PROJECT: \_\_\_\_\_

FIXTURE TYPE: \_\_\_\_\_

LOCATION: \_\_\_\_\_

CONTACT/PHONE: \_\_\_\_\_



Item	9909P28-6-192
Collection	BHIMA
Finish	Brown
Glass	Clear
Crystal	-----
Input	120V AC,60HZ,AC

Shade	-----
Length/Dia.	28"
Width/Ext.	15"
Height	20"
Maximum	141"
Lumens	-----

Light Source	E26
Bulb Info.	6×60W
Included	-----
Dimmable	No
Color	-----
Weight	