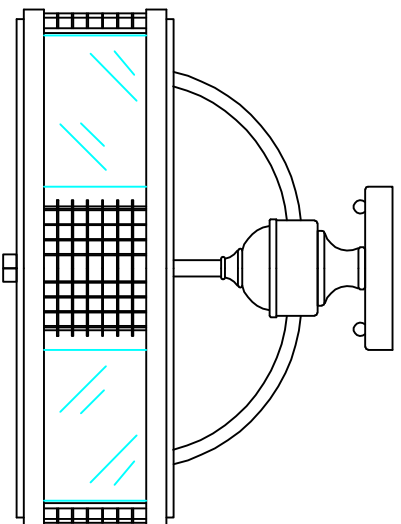


Product Name: Pendant lamp
Model :9916C15-3-213
120Vac, 60Hz,AC ONLY
Lamp Size:Ø15"*H11"

Trade Mark:
CRYSTAL WORLD INC



WALL LAMP ASSEMBLY INSTRUCTIONS

Install bulbs (NOT INCLUDED).USE 120V E12 3*40W Max.

Hardware Used

AA Cap nut	2	X 2
DD Mounting screw	4	X 4

