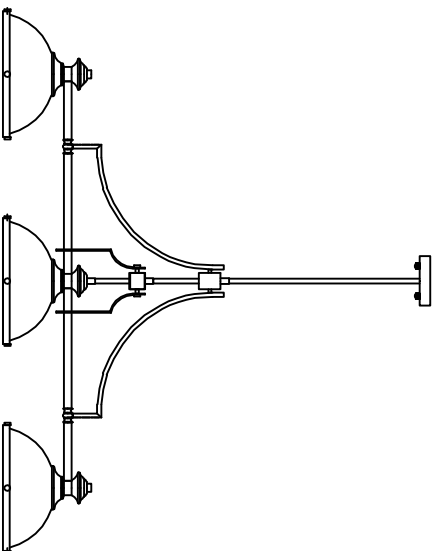


Product Name: Pendant lamp
Model :9948P52-3-601
120Vac, 60Hz,AC ONLY
Lamp Size:L52**W12**H197**

Trade Mark:
CRYSTAL WORLD INC



PENDANT LAMP ASSEMBLY INSTRUCTIONS

1. Install light bulbs (not included).
Use bulb
120V E26 3*40W Max.

Hardware Used

AA Cap nut	⊖	X 2
DD Mounting screw		X 2

