

CWI LIGHTING

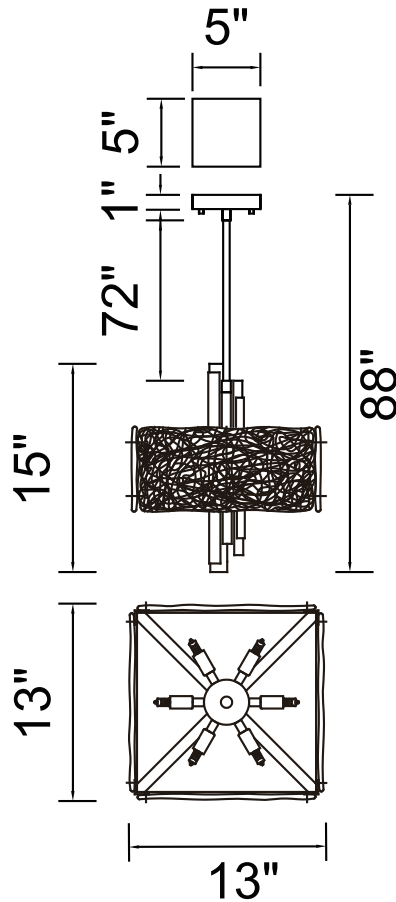
BRIGHTER LIVING. SIMPLIFIED.

PROJECT: _____

FIXTURE TYPE: _____

LOCATION: _____

CONTACT/PHONE: _____



Item	9973P13-6-101
Collection	ASSUNTA
Finish	Black
Glass	Frosted Glass
Crystal	-----
Input	120V AC,60HZ,AC

Shade	-----
Length/Dia.	13"
Width/Ext.	13"
Height	15"
Maximum	88"
Lumens	-----

Light Source	G9
Bulb Info.	6×40W
Included	-----
Dimmable	No
Color	-----
Weight	10.0KG