

# CWI LIGHTING

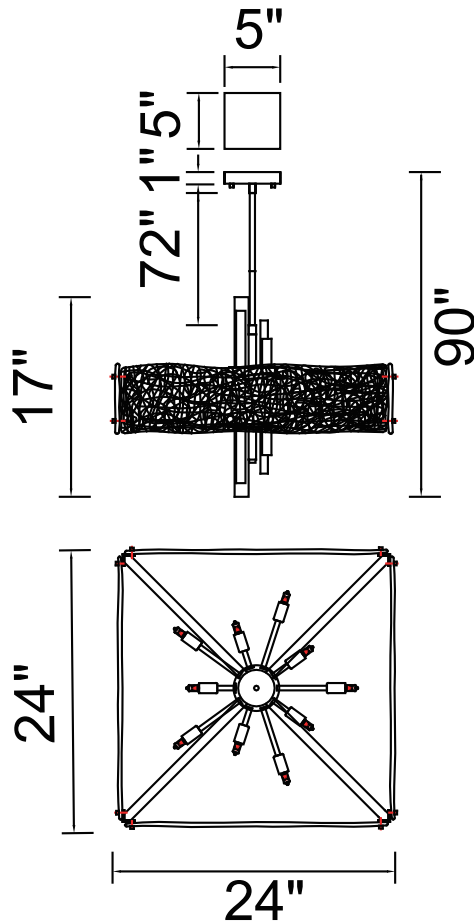
BRIGHTER LIVING. SIMPLIFIED.

PROJECT: \_\_\_\_\_

FIXTURE TYPE: \_\_\_\_\_

LOCATION: \_\_\_\_\_

CONTACT/PHONE: \_\_\_\_\_



Item	9973P24-10-101
Collection	ASSUNTA
Finish	Black
Glass	Frosted Glass
Crystal	-----
Input	120V AC,60HZ,AC

Shade	-----
Length/Dia.	24"
Width/Ext.	24"
Height	17"
Maximum	90"
Lumens	-----

Light Source	G9
Bulb Info.	10x40W
Included	-----
Dimmable	No
Color	-----
Weight	13.8KG