

Assembly Instruction Sheet #IS -9973P28-4

For Style 9973P28-4

Tools Required: Flathead screwdriver, Phillips screwdriver, pliers, wire cutters, wire strippers, electrical tape, safety glasses.

Light Source: (4) G9 40W Maximum (Not include).

Estimated Assembly Time: 30-40 minutes

Preparation: Identify and inspect all parts before beginning installation. Check package content list and diagrams below to be sure all parts are present. If any parts are missing or damaged, do not attempt to assemble, install, or operate the fixture. Contact customer service for replacement parts.

⚠ Warnings and Cautions

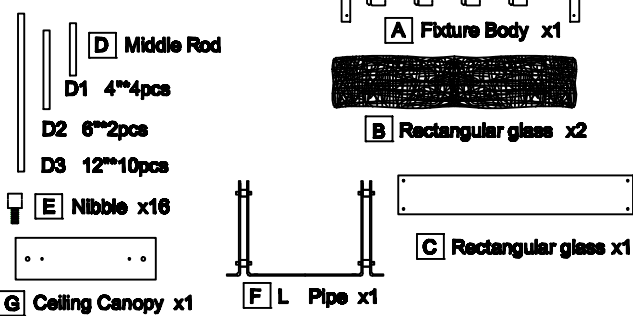
Turn off electricity at circuit breaker or main fuse box before installation. Consult a licensed electrician if in doubt.

These instructions are provided for your safety. It is very important you read them completely before installing the fixture.

We strongly recommend that a licensed, professional electrician perform the installation.

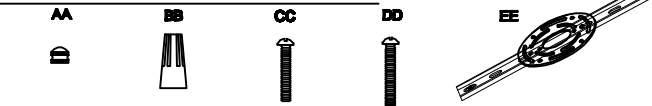
Disconnect fixture from power source before replacing bulbs. Make sure bulbs are given sufficient time to cool before removal.

Package Contents



Hardware Contents

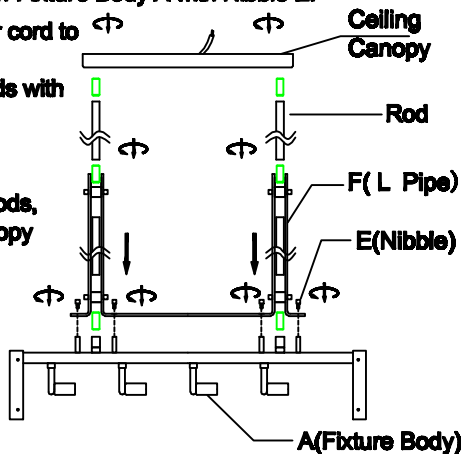
PART	DESCRIPTION	QUANTITY
AA	Decorative Caps	2pcs
BB	Electrical Marrets	2pcs
CC	Outlet Box Screw	2pcs
DD	Mounting Screw	2pcs
EE	Mounting bracket	1pcs



STEP 1 - Install Rods to Fixture Body

A. Fix the L Pipe with Fixture Body A with Nibble E.

B. Thread the power cord to the Middle Rods, fix the Middle Rods with the fixture body then the same to connect the other pieces of Rods, finally fix the Canopy with the Rods.



STEP 2 - Attach Mounting Screws, Lock Washers and Hex Nuts to Mounting bracket.

A. Line up a set of holes on the Mounting bracket (EE) and Holes on the ceiling canopy. Thread Mounting Screws (DD) into the holes on the Mounting bracket (EE). Pass Lock Washers and thread Hex Nuts onto the Mounting Screws (DD). Hand tighten until snug.

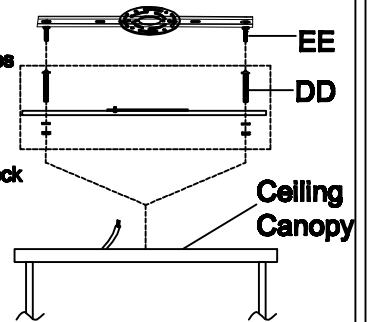


Figure 1

STEP 3 - Attach Mounting bracket to Outlet Box

A. Pass the supply wires through the Mounting bracket (EE). Attach the Mounting bracket (EE) to the Outlet Box with the head of the Green Ground Screw facing you. Secure it with Outlet Box Screws (CC). Tighten until snug.

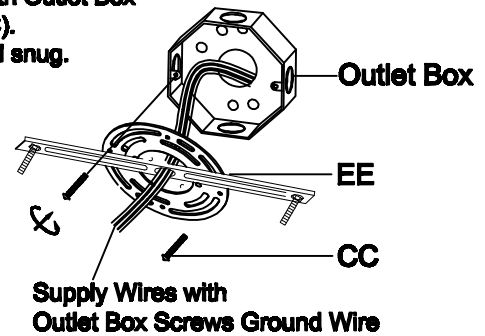


Figure 2