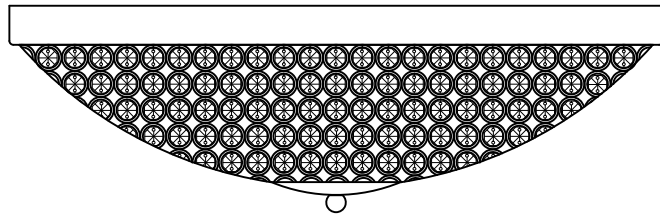


Trade Mark:
CRYSTAL WORLD INC

Product Name: Ceiling lamp
Model :QS8357C24C
120Vac, 60Hz,AC ONLY
Lamp size:Ø24"XH6"

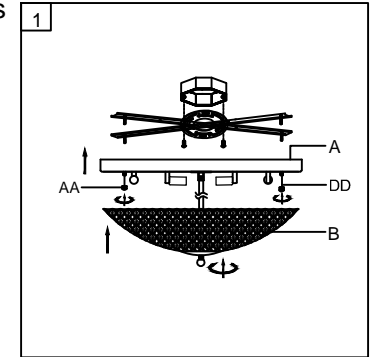



CEILING LAMP ASSEMBLY INSTRUCTIONS

1. Place fixture(A) onto mounting screws (DD).secure with cap nuts (AA).

Hardware Used

- AA Cap nut  X 4
DD Mounting screw  X 4



2. Install light bulbs (not included).
Use bulb  **120V E12 9*40W Max.**

3. Place screw (B) onto (A).

