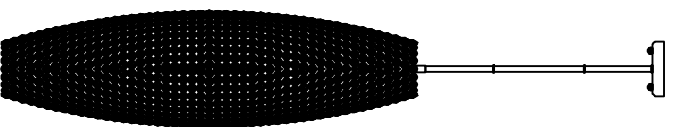


Trade Mark:  
CRYSTAL WORLD INC

Product Name: Pendant lamp  
Model :QS8388P10C  
120Vac, 60Hz,AC ONLY  
Lamp Size:φ10"XH36"~95"

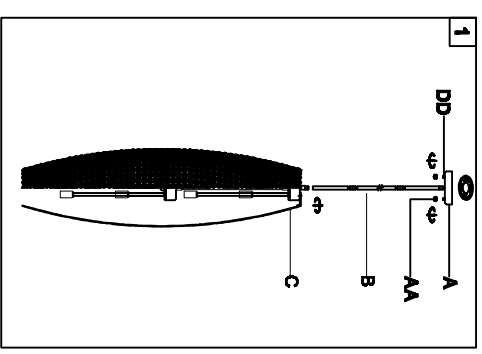


## PENDANT LAMP ASSEMBLY INSTRUCTIONS

1. Place fixture(A) onto mounting screws (DD), secure with cap nuts(AA).
2. Place fixture(A) with (B), (B) with (C).

### Hardware Used

AA Cap nut	⊘	X 2
DD Mounting screw		X 2



2. Please open the door and install light bulbs ( not included).  
Use bulb **120V G9** ⚡ **8\*40W Max.**

