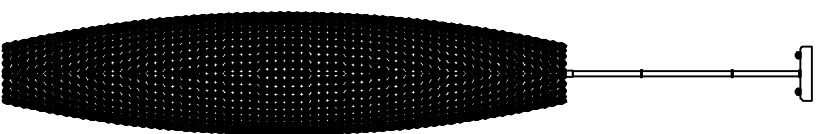


Trade Mark:
CRYSTAL WORLD INC

Product Name: Pendant lamp
Model :QS8388P11C
120Vac, 60Hz,AC ONLY
Lamp Size:φ11"XH49"~98"



Page 1/4

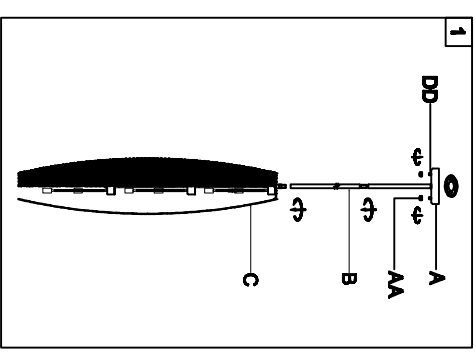


PENDANT LAMP ASSEMBLY INSTRUCTIONS

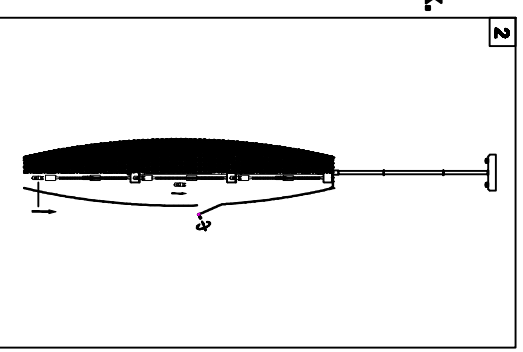
1. Place fixture(A) onto mounting screws (DD) secure with cap nuts (AA).
2. Place fixture(A) with (B), (B) with (C).

Hardware Used

AA Cap nut X 2
DD Mounting screw X 2



2. Please open the door and install light bulbs (not included).
Use bulb **120V G9** **12*40W Max.**



Page 2/4